



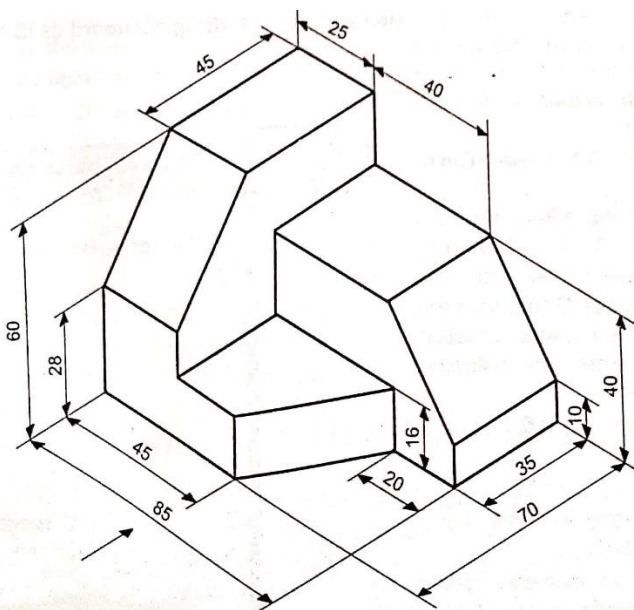
INDIAN SCHOOL AL WADI AL KABIR



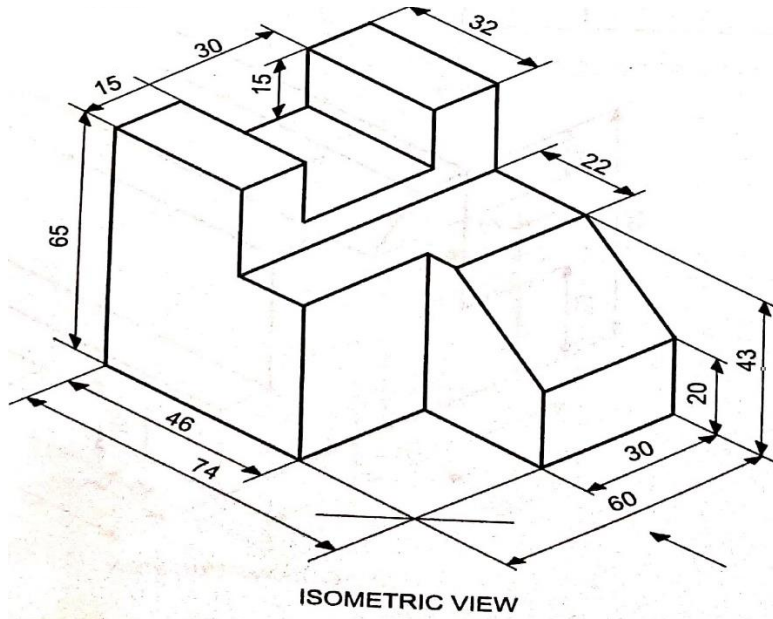
|                                   |  |                 |
|-----------------------------------|--|-----------------|
| Class: X                          | DEPARTMENT OF SCIENCE -2023-24<br>SUBJECT: ENGINEERING GRAPHICS            | DATE: 2/11/2023 |
| WORKSHEET<br>NO:5 WITH<br>ANSWERS | TOPIC: <b><u>ORTHOGRAPHIC PROJECTIONS<br/>OF SIMPLE MACHINE BLOCKS</u></b> | A4 FILE FORMAT  |
| CLASS & SEC:<br>XI C/E            | NAME OF THE STUDENT:   | ROLL NO.        |

### Questions

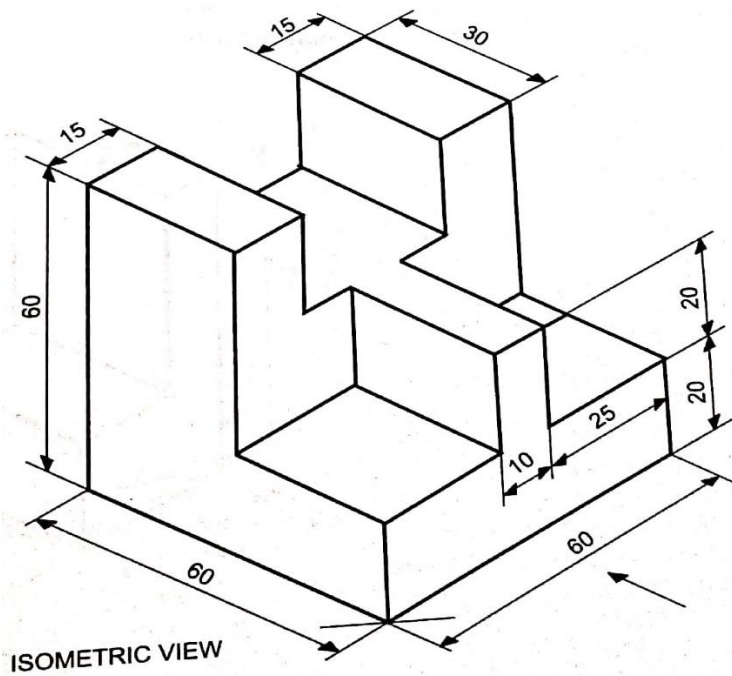
1. Draw to scale 1:1 the front view, top view and side view of the given machine block.



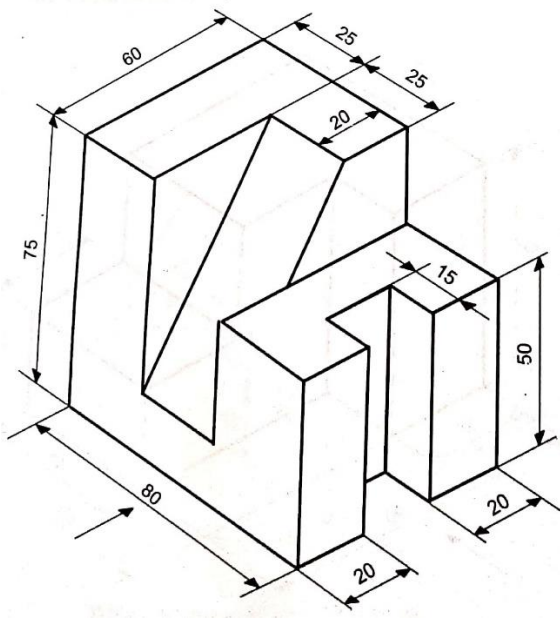
2. Draw to scale 1:1 the front view, top view and side view of the given machine block.



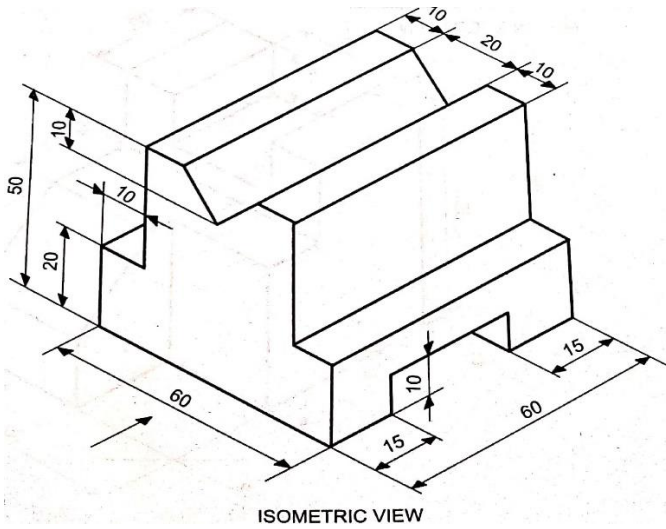
3. Draw to scale 1:1 the front view, top view and side view of the given machine block.



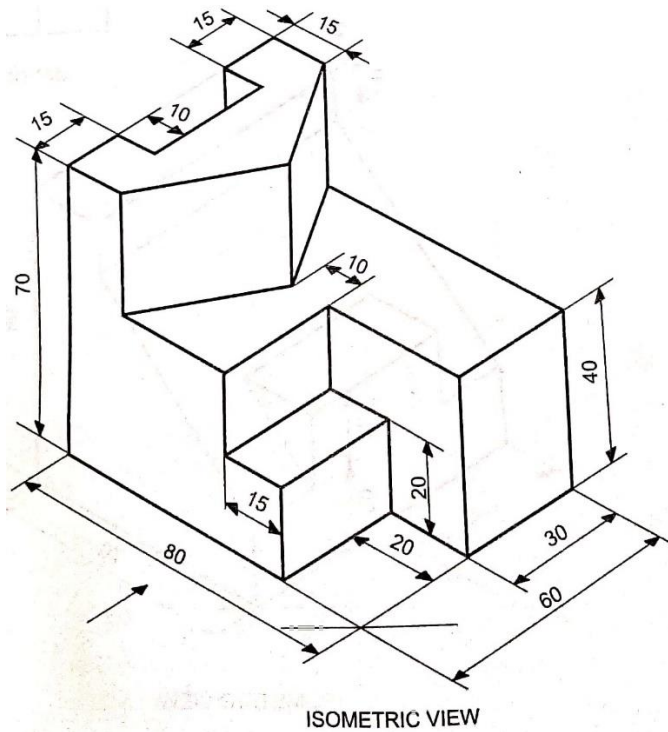
4. Draw to scale 1:1 the front view, top view and side view of the given machine block.



5. Draw to scale 1:1 the front view, top view and side view of the given machine block.



6. Draw to scale 1:1 the front view, top view and side view of the given machine block.



### MULTIPLE CHOICE QUESTIONS

1. According to first angle method of projection , the left side view should be at?
- a) Front side
  - b) Left side of front view
  - c) Right side of front view
  - d) Left side of top view

2. Identify the two dimensional view from the following ?

- a) Isometric
- b) Orthographic
- c) Perspective
- d) Oblique

3. The three dimensional drawing with true scale is called as -----

- a) Isometric Projection
- b) Isometric view
- c) Orthographic projection
- d) None of the above

4. Explaining an object with two or more views is called as ?

- a) Orthographic projection
- b) Isometric projection
- c) Axonometric projection
- d) Perspective projection

5. In first angle method of projection the top view should be ?

- a) Above the front view
- b) Left side of front view
- c) Right side of front view
- d) Below the front view

### **MULTIPLE CHOICE QUESTIONS**

### **ANSWERS**

1.c) Right side of front view

2.b) Orthographic

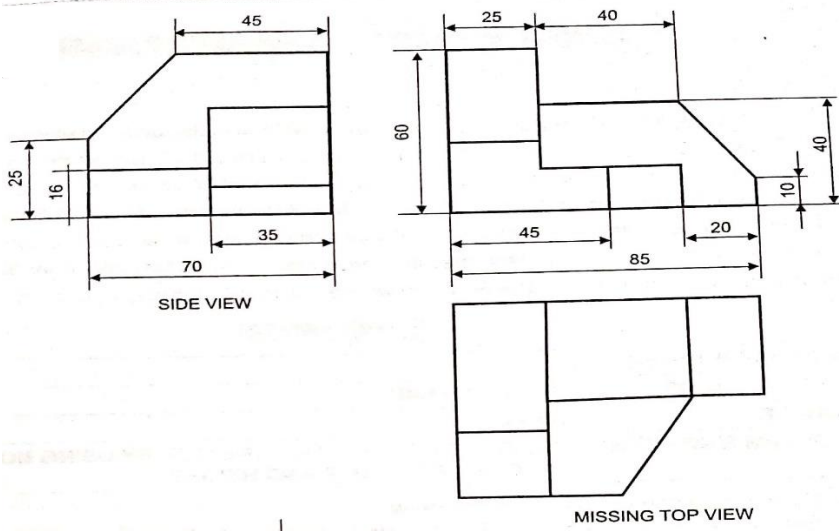
3.b) Isometric view

4.a) Orthographic projection

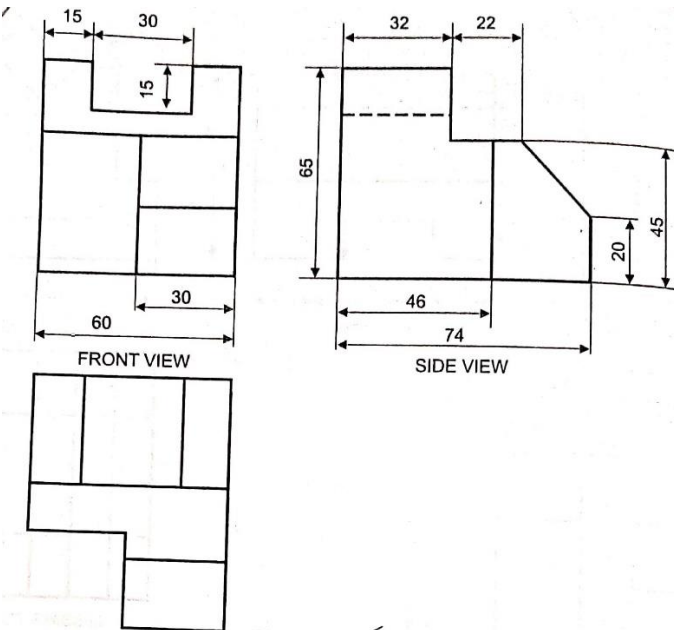
5.d) Below the front view

# SOLUTIONS FOR DRAWINGS

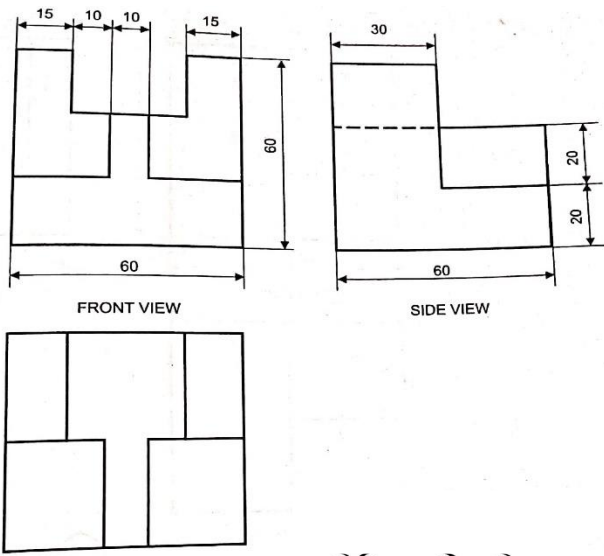
1.



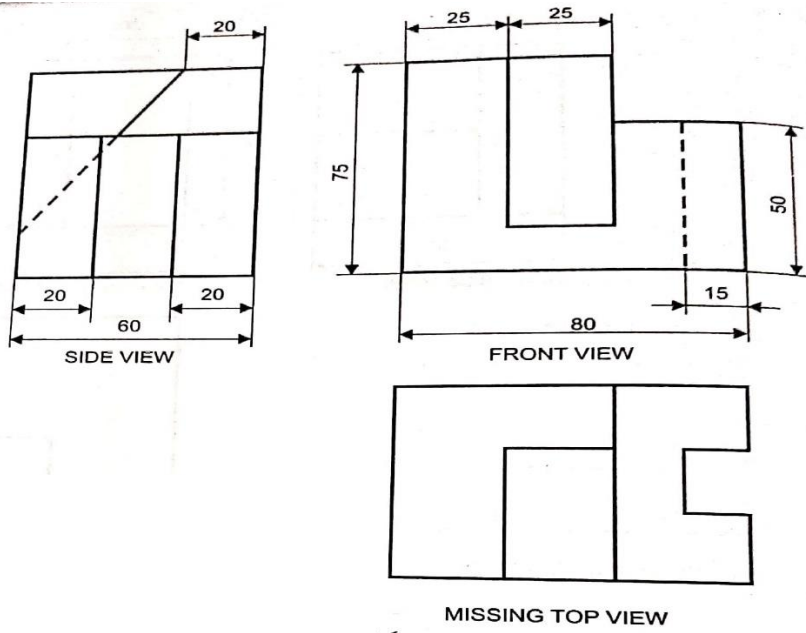
2.



3.

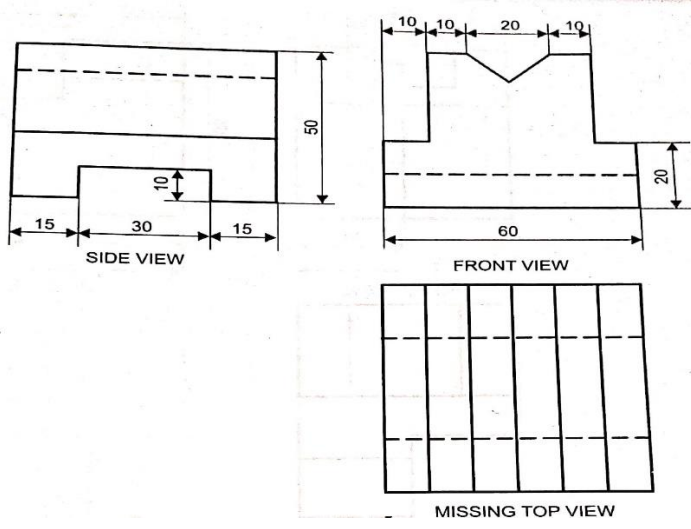


4.

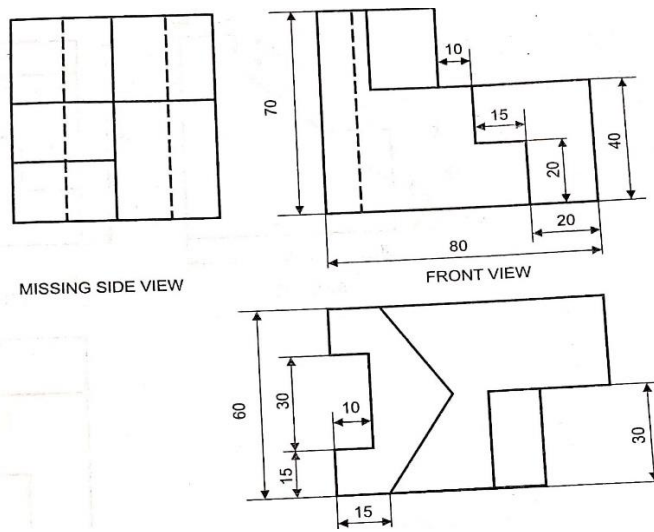




5.



6.



|                                     |                           |
|-------------------------------------|---------------------------|
| PREPARED BY<br>Ms. AISWARYA DEEPTHI | CHECKED BY<br>HOD SCIENCE |
|-------------------------------------|---------------------------|